

“Fluid Under Control”

TORK[®]
CONTROL VALVES

high quality

control valves &
automation systems



PNEUMATIC ACTUATOR

Double Acting & Spring Return

for ball valves
butterfly valves
plug valves
dampers



www.sms-tork.com.tr



Loyd



TS EN264 UKSEPRO

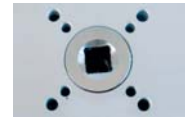
GENERAL FEATURES

- TORK Pneumatic Actuators manufactured since 1986
- New generation = RPA series
- For quarter turn valve automation (8Nm – 2900Nm)
- One compact design for both Double and Single Acting models
- Dual piston rack and pinion design
- According to international standards (NAMUR, ISO5211)
- Body : Extruded Aluminium
- Caps: Die cast Aluminium
- Two external travel stop adjustment
- Standard position indicator
- High cycle life
- High performance

T-RPA SERIES : SPARE PARTS LIST



Top mounting connection is in accordance with VDI/VDE namur standard and limit switch box, positioners could easily be mounted.



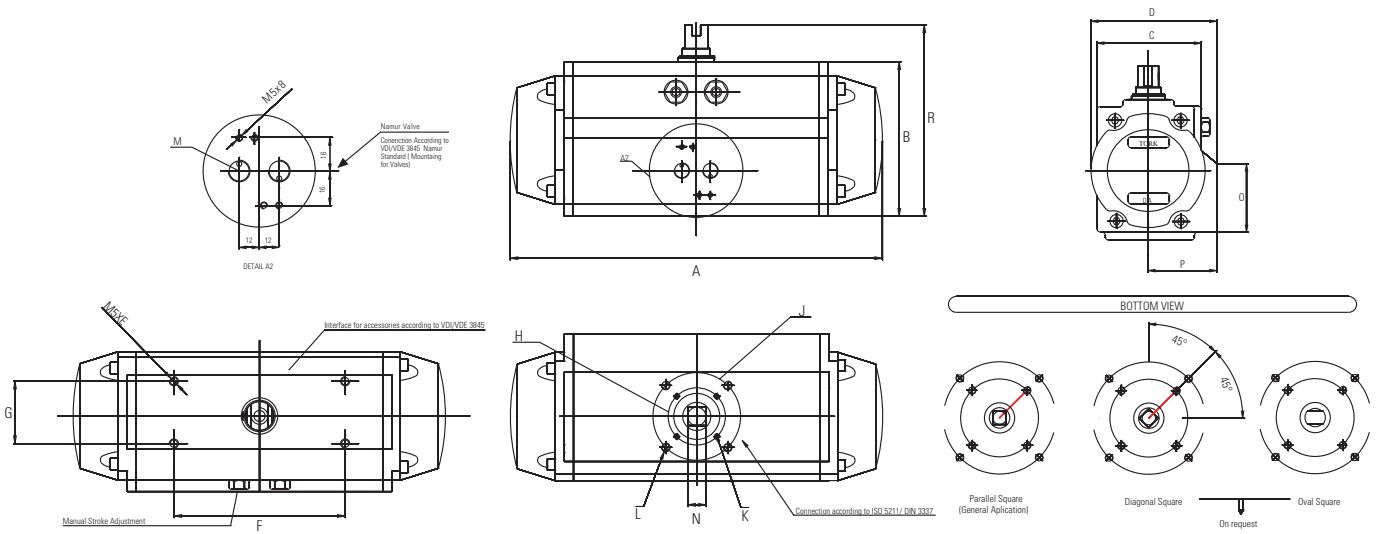
Bottom mounting connection is in accordance with ISO 5211 and DIN 3337 standard for direct mounting with valve



Side Connection for namur solenoid valve according VDI/VDE 3845 namur standard

PART NO	UNIT Q'TY	PART DESCRIPTION	STANDARD MATERIAL
1	1	SPRING CLIP (Pinion)	STEEL ALLOY
2	1	THRUST BEARING (Pinion)	POLYPHTHALAMIDE
3	1	BODY	EXTRUDED ALUMINIUM ALLOY
4	2	BEARING (Piston back)	POLYPHTHALAMIDE
5	2	PISTON	DIE CAST ALUMINIUM
6	2	"O" RING (Piston)	NITRILE (NBR70)
7	2	BEARING (Piston head)	POLYPHTHALAMIDE
8	2	CAP BOLT (End cap)	STAINLESS STEEL
9	2	RIGHT AND LEFT END CAP	DIE CAST ALUMINIUM
10	2	"O" RING (End cap)	NITRILE (NBR70)
11	1	"O" RING (Pinion top)	NITRILE (NBR70)
12	1	BEARING (Piston top)	POLYPHTHALAMIDE
13	1	OPEN.CLOSE CAM (Stop arrangement)	STEEL ALLOY
14	1	DRIVE SHAFT	STEEL ALLOY
15	1	BEARING (Pinion bottom)	POLYPHTHALAMIDE
16	1	"O" RING (Pinion bottom)	NITRILE (NBR70)
17	1	"O" RING (Stop screw)	NITRILE (NBR70)
18	2	STOP BOLT WASHER	STAINLESS STEEL
19	2	STOP NUT	STAINLESS STEEL
20	2	STOP BOLT	STAINLESS STEEL
21	min.5/max.12	SPRING (Catridge)	HIGH ALLOY SPRING STEEL
22	min.5/max.12	SPRING HOLDER	POLYPROPYLENE +GF

DIMENSION OF ACTUATORS



DIMENSION (mm)

ACTUATOR MODELS	A	B	C	D	E	F	G	H	J	K	L	M	N	O	P	R	ISO Flange for H	ISO Flange for J
T-RPA DA/SR 40	137.2	70.0	52.0	70.6	8.0	80.0	30.0	36/42	-	M5	-	1/8"	9	45.0	39.7	90.0	F03/F04	-
T-RPA DA/SR 60	172.6	85.2	62.0	82.7	8.0	80.0	30.0	42/50	70.0	M5/M6	M8	1/8"	9/11	47.0	47.0	105.2	F04/F05	F07
T-RPA DA/SR 80	242.0	116.9	91.8	109.2	8.0	80.0	30.0	50	70.0	M6	M8	1/8"	14	54.8	58.3	136.9	F05	F07
T-RPA DA/SR 100	282.0	130.0	95.0	121.0	8.0	80.0	30.0	70	102.0	M8	M10	1/4"	17	61.0	65.0	160.0	F07	F10
T-RPA DA/SR 120	360.0	160.0	116.2	150.0	8.0	80.0	30.0	70	102.0	M8	M10	1/4"	17/22	82.0	87.2	190.0	F07	F10
T-RPA DA 143	342	190	182	182	8.0	80.0	30.0	102	140	M10	M16	1/4"	22/27	91	91	210	F10	F14
T-RPA DA 160	374	216	202	202	8.0	80.0	30.0	102	140	M10	M16	1/4"	22/27	101	101	236	F10	F14
T-RPA DA 200	458	268	242	242	8.0	80.0	30.0	-	140/165	-	M20	1/4"	36	121	121	288	-	F14/F16
T-RPA DA 400	458	595	245	245	8.0	80.0	30.0	-	140/165	-	M20	1/4"	36	123	123	615	-	F14/F16
T-RPA SR 143	514	190	182	182	8.0	80.0	30.0	102	140	M10	M16	1/4"	22/27	91	91	210	F10	F14
T-RPA SR 160	558	216	202	202	8.0	80.0	30.0	102	140	M10	M16	1/4"	22/27	101	101	236	F10	F14
T-RPA SR 200	680	268	242	242	8.0	80.0	30.0	140	140/165	M16	M20	1/4"	36	121	121	288	F14	F14/F16
T-RPA SR 400	680	595	245	245	8.0	80.0	30.0	140	140/165	M16	M20	1/4"	36	123	123	615	F14	F14/F16

ACCESSORIES



T-LSG

Limit Switch Box
IP67 and Exproof Types



T-EPR

input: 4-20mA

Electro - Pneumatic Positioners
Pneumatic - Pneumatic Positioners



T-MOR

Manual Override
Torque Value: 100 - 7500 Nm



T-NM

Namur Solenoid Valves
IP65 and Exproof Types

APPLICATION



MANUFACTURING COMPANY

TORK is the registered brand mark of SMS Co. Ltd.

SANAYİ MALZEMELERİ ÜRETİM VE SATIŞI LTD. ŞTİ.
Bostancı Yolu Caddesi Kuru Sk. No:16 Y. Dudullu, 34776 Ümraniye / İstanbul Tel: +90 (216) 364 34 05 (pbx) Fax: +90 (216) 364 37 57
tork@sms-tork.com.tr http://www.sms-tork.com.tr

